

PRESSURE REGULATORS

Special Service

Heavy-Duty High-Pressure



Description: This series of Airgas® heavy-duty high-pressure cylinder regulators is recommended for use on cylinders or panel mounting with a wide variety of non-corrosive inert gases. This series is ideally suited for high-pressure testing, purging and charging, calibration kits, manufacturing processes and R&D laboratories.

The Airgas heavy-duty high-pressure cylinder regulator's piston sensor design provides structural reliability in high-pressure applications. The low torque control knob and self-relieving feature permit easy adjustment of pressure in closed or dead-end systems.

The 820 Series is configurable for most applications.

Design Features

Excellent Value

high quality and economically priced.

Bar Stock Body

affords low internal volume.

Large Non-corrosive Gauges

2 brass, shatter resistant polycarbonate lenses.

Wide Industry Applications

including chemical plant, airline charging carts, R&D laboratories.

Specifications

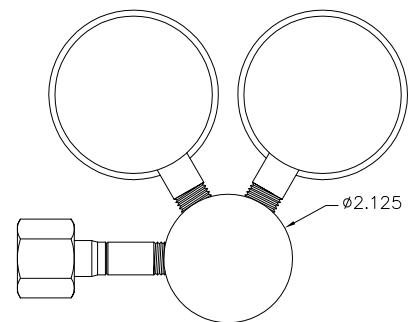
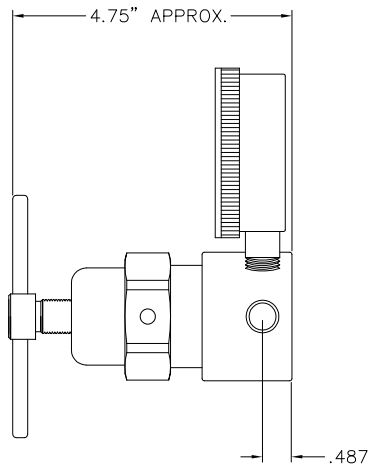
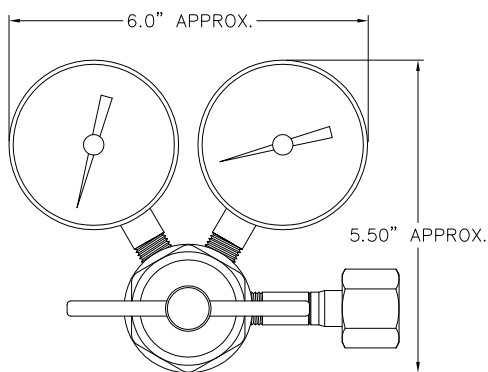
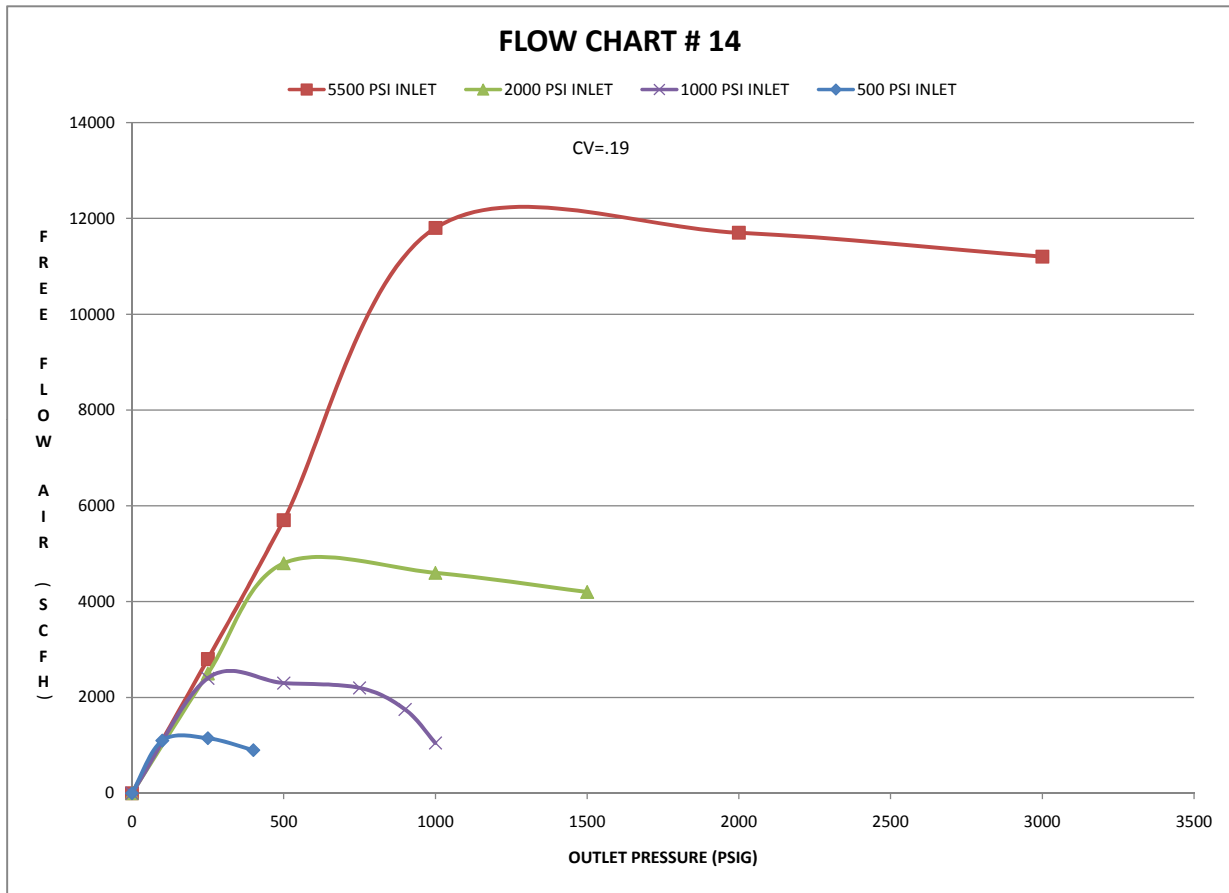
Maximum Rated Inlet Pressure	6,000 psig
Inlet Gauge Range	0–10,000 psig
Outlet Pressure Ranges	0–500, 0–2,000, 0–4,000, 0–6,000 psig
Outlet Gauge Range	0–1,000, 0–4,000, 0–6,000, 0–6,000 psig
Weight	8 lbs.
Ports (4)	1/4" FNPT
Inlet	1/4" FNPT
Outlet	1/4" FNPT

Materials

Body	Brass
Bonnet	Brass
Piston	Brass
Gauges	2 1/2" Brass, polycarbonate
Filter	316 Stainless Steel
Valve Stem	316 Stainless Steel
Valve Spring	316 Stainless Steel
Outlet Valve	316 Stainless Steel
Trim	Nickel-Plated Brass

Ordering Information

Product Number	Material	Max Inlet Pressure (psig)	Max Outlet Pressure (psig)	Capacity (scfh @ Max Del. Pressure)	Outlet Gauge Range (psig)
Y11-820G(CGA)	Brass	6,000	500	2,000	0–1,000
Y11-820H(CGA)	Brass	6,000	2,000	3,000	0–4,000
Y11-820J(CGA)	Brass	6,000	4,000	4,500	0–6,000
Y11-820K(CGA)	Brass	6,000	6,000	5,000	0–6,000



820 SERIES REGULATOR