

Oxygen Models

Special Service

PRESSURE REGULATORS

Description: These oxygen service regulators are manufactured using the latest materials of construction. They feature a large, stainless steel diaphragm for excellent performance, long life, and easy maintenance. Dual filters protect internal components from contamination and restrict velocity to reduce adiabatic heat of recompression. A preset safety relief valve is standard.

This regulator is designed with unique materials and is specially cleaned for oxygen service.



Design Features

Brass, Bar Stock Construction

ensures compatibility of oxygen service.

Encapsulated Filter Seat Assy

protect internal parts and filter gas stream.

Safety Relief Valve

quickly reduces excess pressure within the regulator.

Reverse-Flow Check Valve

prevents the reverse flow of gas into the regulator.

Specifications

Maximum Rated Inlet Pressure	3,000 psig
Outlet Pressure Ranges	0-25, 0-50, 0-100, 0-200 psig
Flow Capacity	Cv=0.15
Ambient Operating Temperature	-40° F to +165° F
Designed Leak Rate	Bubble-Tight (helium)
Weight	3.2 lbs
Ports (4)	1/4" FNPT
Outlet	9/16-18 RH
Decay Inlet Characteristic	0.58/100 psi

Materials

Body	Nickel-Plated Brass
Bonnet	Composite
Seat	PTFE
Diaphragm	Stainless Steel
Gauges	2 1/2" Nickel-Plated Brass
Filter	Bronze
Valve Stem	316 Stainless Steel
Valve Spring	316 Stainless Steel
Trim	Nickel-Plated Brass

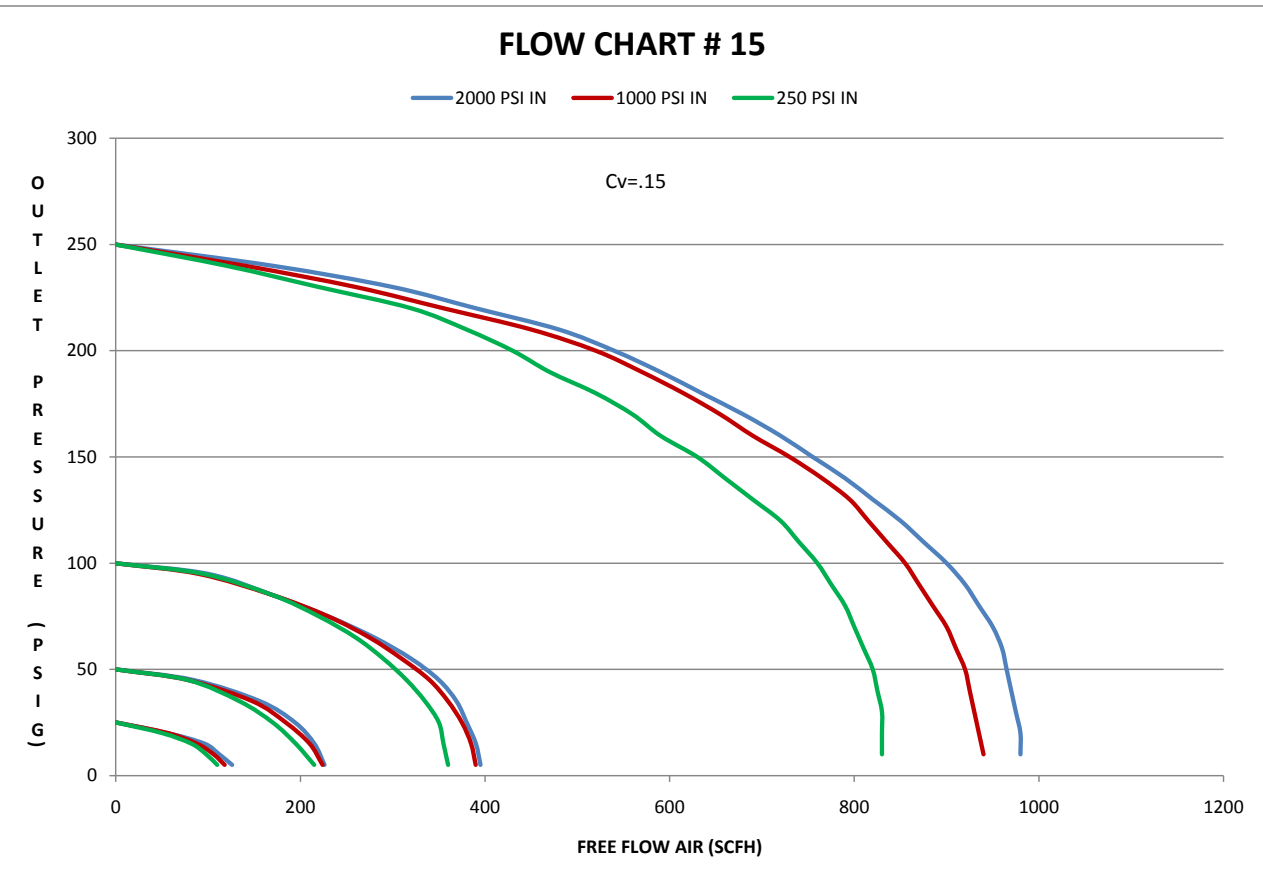
Ordering Information

Product Number	Material	Max Inlet Pressure (psig)	Max Outlet Pressure (psig)	Capacity (scfh @ Max Del. Pressure)	Relief Valve Setting (psig)	Type	Inlet Gauge Range (psig)	Delivery Gauge Range (psig)
Y11-215AOX	Brass	3,000	25	280	75	Single Stage	0-3,000	0-30
Y11-215BOX	Brass	3,000	50	850	150	Single Stage	0-3,000	0-60
Y11-215DOX	Brass	3,000	100	1,500	150	Single Stage	0-3,000	0-200
Y11-215FOX	Brass	3,000	200	1,950	350	Single Stage	0-3,000	0-400

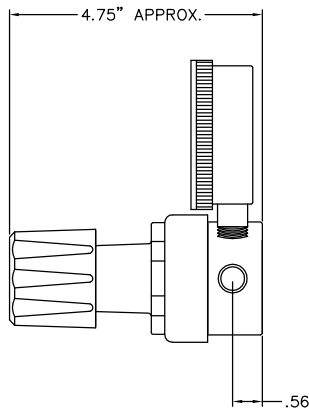
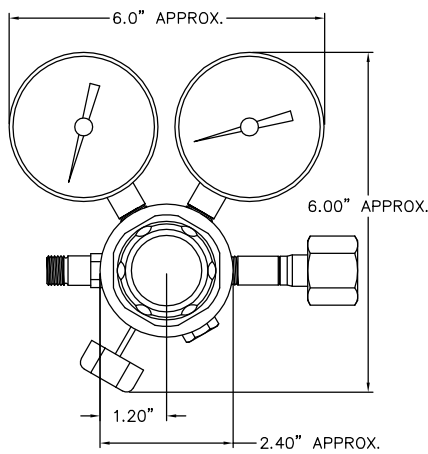
Available Options

Product Number	Description
Y33-1FARH	Flash Arrestor

*These regulators are not certified for use with gas for human consumption.



Equipment



SINGLE STAGE REGULATOR

