

**PRESSURE REGULATORS**

**Corrosive Service**

## Standard Model



Y11-C484A pictured

**Description:** These regulators are recommended for use with acid-forming gases where brass and copper-free systems are required. The proven, low-maintenance design features a PCTFE seat for wide media compatibility.

**Note:** A Cross-Purge Assembly must be used in conjunction with these models in order to ensure effective purging of hazardous gas traces during cylinder change out.

### Design Features

- Filtered Seat**  
for added gas stream purity and extended service life.
- PCTFE Seat**  
provides wide range of media compatibility.
- Large, 2 1/2" Stainless Steel Gauges**  
permit accurate, easy reading.
- Sintered Stainless Steel Filter**  
protects parts, extends service life.

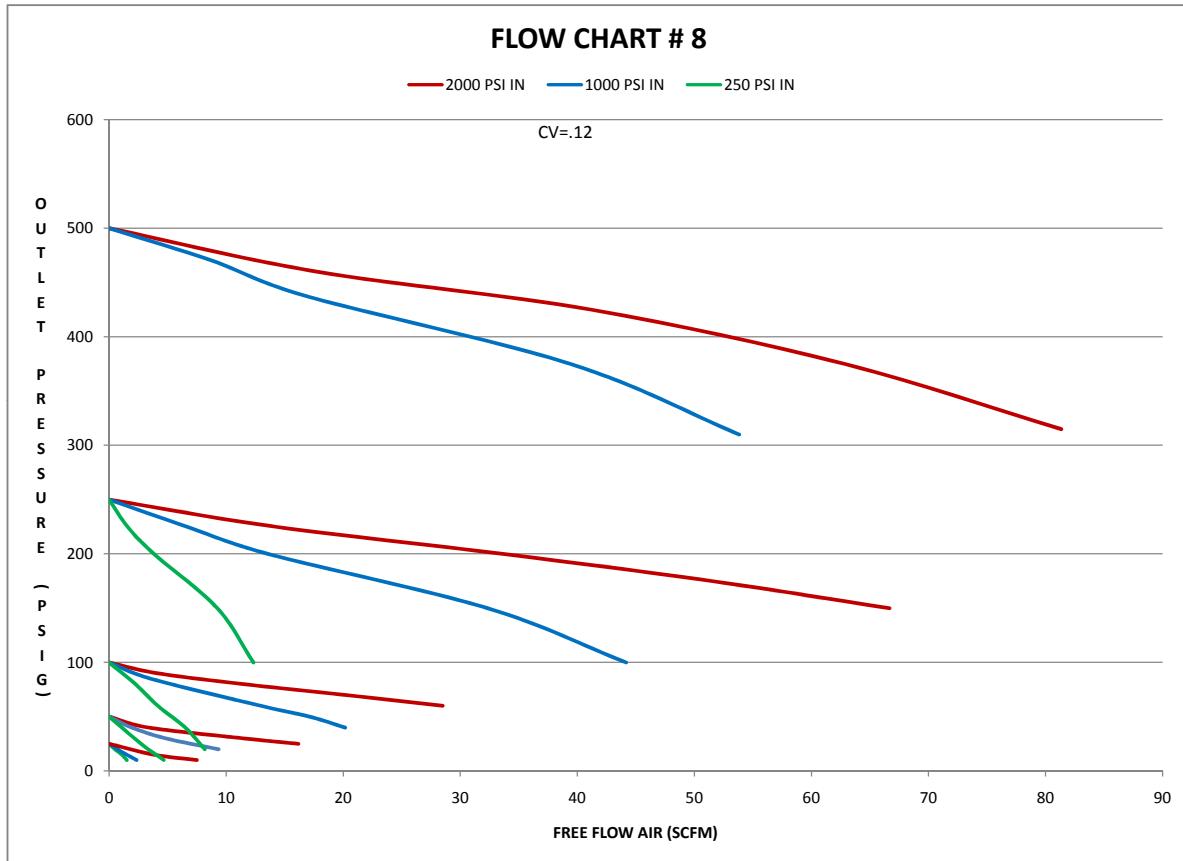
Specifications	
Maximum Rated Inlet Pressure	3,000 psig
Outlet Pressure Ranges	0-25, 0-50, 0-100, 0-250 psig
Flow Capacity	Cv=0.12
Ambient Operating Temperature	-20° F to +150° F
Designed Leak Rate	Bubble-Tight (helium)
Weight	3.15 lbs
Outlet	1/4" MNPT Instrument Valve
Decay Inlet Characteristic	0.35/100 psi

Materials	
Body	316 Stainless Steel
Bonnet	Nickel-Plated Brass
Seat	PCTFE
Diaphragm	316 Stainless Steel
Gauges	2 1/2" Stainless Steel
Filter	Sintered Stainless Steel
Valve Stem	316 Stainless Steel
Valve Spring	316 Stainless Steel
Trim	Stainless Steel

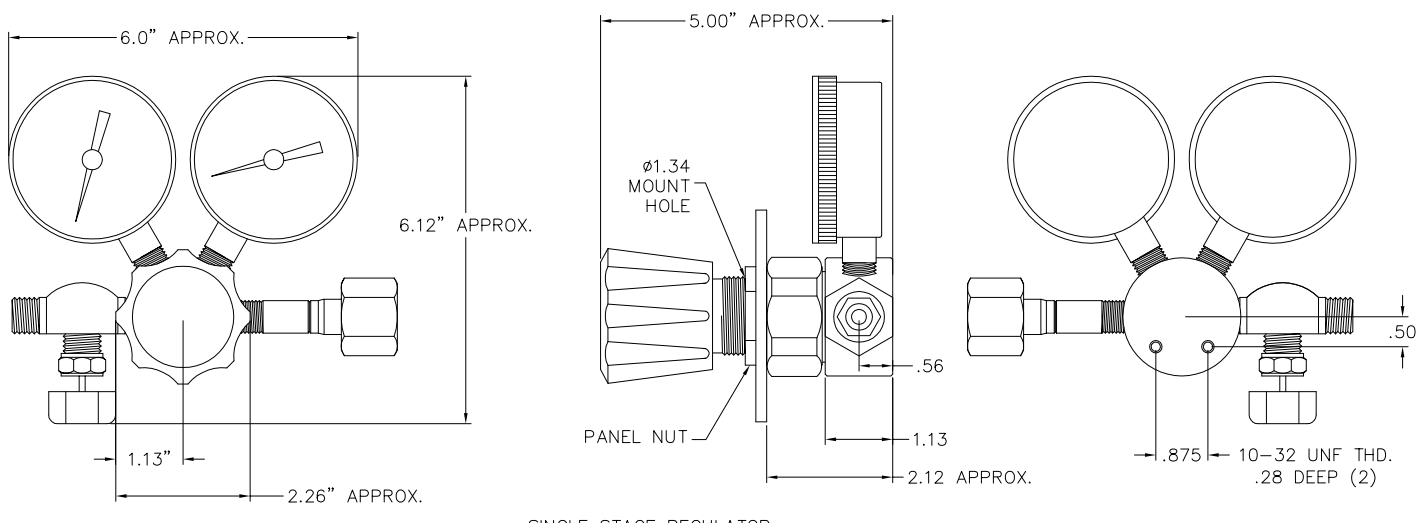
Ordering Information							
Product Number	Material	Max Inlet Pressure (psig)	Max Outlet Pressure (psig)	Capacity (scfh @ Max Del. Pressure)	Type	Inlet Gauge Range (psig)	Delivery Gauge Range (psig)
Y11-C484A(CGA)	316 SS	3,000	25	200	Single Stage	0 - 4,000	0-30
Y11-C484B(CGA)	316 SS	3,000	50	380	Single Stage	0 - 4,000	0-100
Y11-C484D(CGA)	316 SS	3,000	100	1,480	Single Stage	0 - 4,000	0-200
Y11-C484F(CGA)	316 SS	3,000	250	3,000	Single Stage	0 - 4,000	0-400
Y11-C480A(CGA)	316 SS	1,000	25	200	Single Stage	None	0-30

**NOTE:** Due to the corrosive nature of the gases used with this regulator, a cross purge assembly is required to maintain the warranty and for safety.

Available Options	
Product Number	Description
Y99-CPA4(CGA)	Stainless steel cross purge assembly.



Equipment



SINGLE STAGE REGULATOR