

PRESSURE REGULATORS

Corrosive Service

Economy Model



Description: These single-stage regulators are designed for mildly corrosive gases that attack brass or copper-bearing alloys. Each regulator features a large diaphragm which provides excellent performance and precise pressure control.

These regulators are constructed of aluminum alloy and are equipped with stainless steel gauges, a sintered stainless steel inlet filter and a stainless steel instrument valve.

Design Features

Filtered Seat

for added gas stream purity and extended service life.

Aluminum Alloy Construction

improves flow capacity of liquefied gases with low vapor pressures.

2 1/2" Stainless Steel Gauges

permit accurate and easy reading.

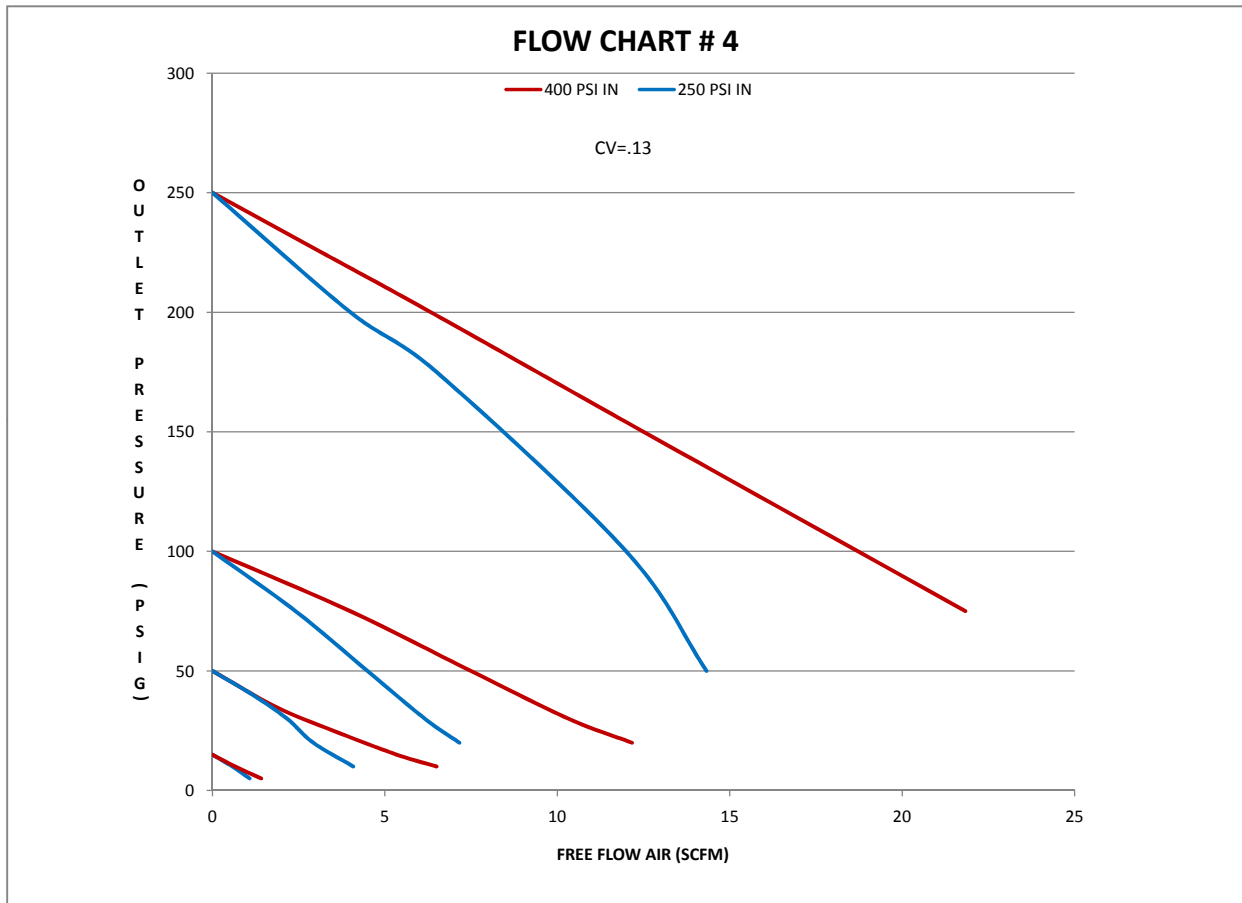
Specifications	
Maximum Rated Inlet Pressure	400 psig
Outlet Pressure Ranges	0-50 psig
Flow Capacity	Cv=0.12
Ambient Operating Temperature	-20° F to +165° F
Designed Leak Rate	Bubble-Tight (helium)
Weight	3 lbs
Outlet	1/4" MNPT
Decay Inlet Characteristic	0.35/100 psi

Materials	
Body	Aluminum Alloy
Bonnet	Nickel-Plated Brass
Seat	PCTFE
Diaphragm	316 Stainless Steel
Gauges	2 1/2" Stainless Steel
Filter	Sintered Stainless Steel
Valve Stem	316 Stainless Steel
Valve Spring	302 Stainless Steel
Trim	Aluminum, Stainless Steel

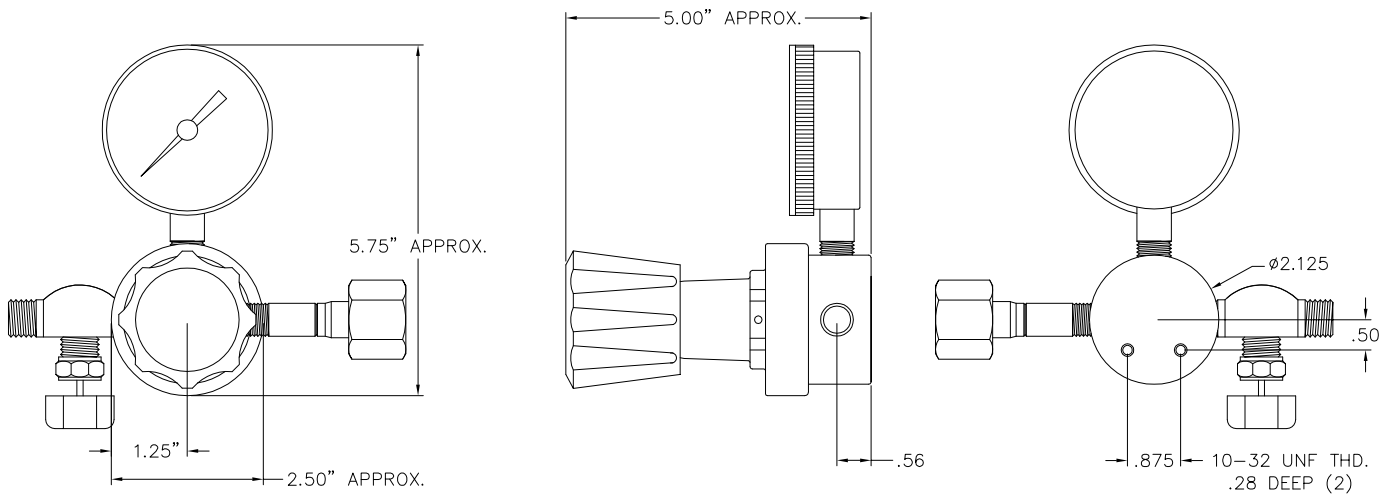
Ordering Information							
Product Number	Material	Max Inlet Pressure (psig)	Max Outlet Pressure (psig)	Capacity (scfh @ Max Del. Pressure)	Type	Delivery Gauge Range (psig)	Safety Relief Valve (psig)
Y11-C520C(CGA)	Aluminum	400	50	600	Single Stage	0-100	N/A

NOTE: Due to the corrosive nature of the gases used with this regulator, a cross purge assembly is required to maintain the warranty and for safety.

Available Options	
Product Number	Description
Y99-CPA4(CGA)	Stainless steel cross purge assembly.



Equipment



SINGLE STAGE REGULATOR