

Brass High-Purity Single-Stage Models

Description: These brass, single-stage, high-purity regulators are recommended for non-corrosive analytical and process applications where precise flow control is not critical. A specially designed, convoluted, stainless steel diaphragm with metal to metal seals provides good regulating performance and maximum purity integrity without the need for a soft seal, which often can be a source of contamination.

These regulators come with a CGA nipple that has a special high-purity, non-lubricated check valve incorporated into nose and prevents air and contaminants from entering the gas stream during cylinder change out. This creates consistencies in processes and extends column life in GC applications.

Each regulator is capable of withstanding an internal vacuum and is provided with a diffusion-resistant, diaphragm packless outlet valve to maintain system purity. The optional bonnet vent adaptor allows for the venting of hazardous gases in the event of diaphragm failure.

Specifications	
Maximum Rated Inlet Pressure	3,500 psig
Outlet Pressure Ranges	0-25, 0-50, 0-100, 0-150, 0-250, 0-500 psig
Flow Capacity	Cv = 0.12
Ambient Operating Temperature	-40° F to +165° F
Designed Leak Rate	2 x 10 ⁻⁹ ccs (helium)
Weight	4.6 lbs
Ports (5)	1/4" FNPT
Inlet	1/4" FNPT
Outlet	1/4" Compression
Decay Inlet Characteristic	0.78/100 psi

High-Purity

PRESSURE REGULATORS

Y11-N245



Design Features

Encapsulated Filter Seat Assy

for added gas stream purity and extended service life.

Convoluted Stainless Steel Diaphragms

provide superior leak integrity without contamination from a non-metallic liner or seal.

Bonnet Vent Ports (with optional bonnet vent adaptors)

allow venting of hazardous gases in the event of diaphragm failure.

Metal to Metal Seal for High Purity

Standard Threaded Bonnet (with optional collar-mount nuts) for easy panel mounting.

Diaphragm Packless Valve (with 1/4" Compression fitting)

promotes system purity.

Six Outlet Pressure Ranges

provide application pressure compatibility.

CGA Connection with Integral Check Valve

prevents contamination during cylinder changeout.

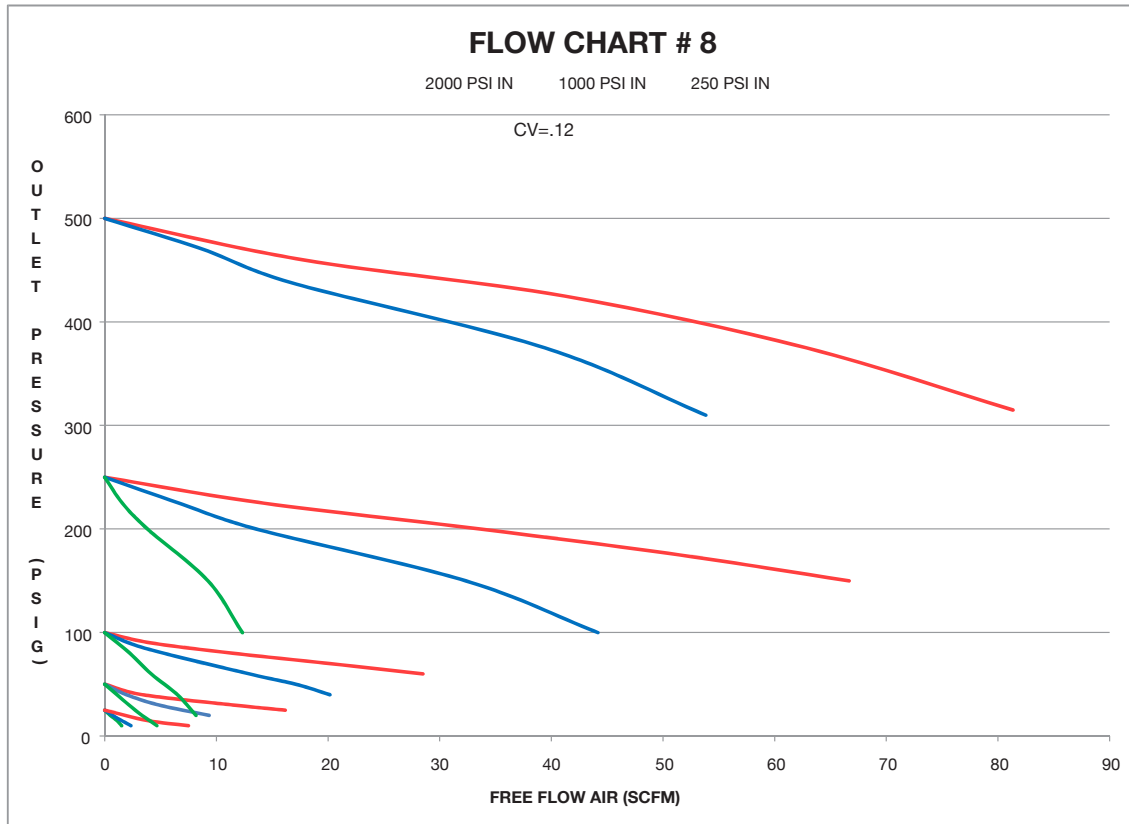
Materials	
Body	Nickel-Plated Brass
Bonnet	Nickel-Plated Brass
Seat	PTFE
Diaphragm	316 Stainless Steel
Gauges	2 1/2" Nickel-Plated Brass
Filter	316 Stainless Steel
Outlet Valve	Nickel-Plated Brass
Trim	Nickel-Plated Brass

Ordering Information

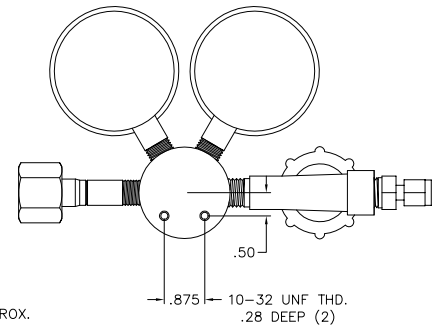
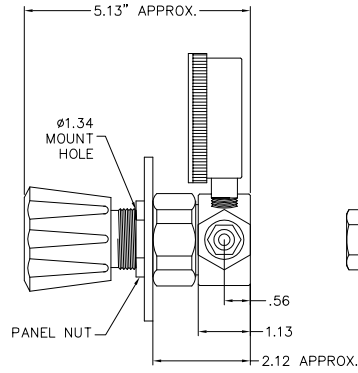
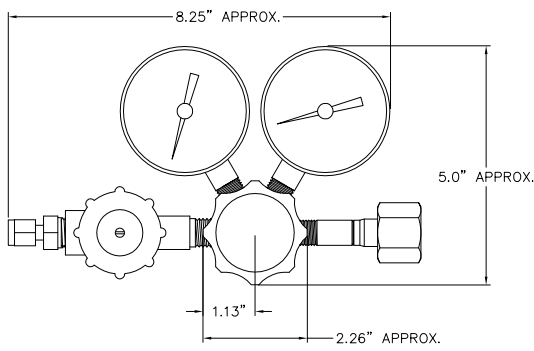
Product Number	Material	Max Inlet Pressure (psig)	Max Outlet Pressure (psig)	Capacity (scfh @ Max Del. Pressure)	Inlet Gauge Range (psig)	Delivery Gauge Range (psig)
Y11-N245A(CGA)	Brass	3,500	25	900	0-4,000	30" Hg-0-30
Y11-N245B(CGA)	Brass	3,500	50	1,250	0-4,000	0-60
Y11-N245D(CGA)	Brass	3,500	100	1,750	0-4,000	0-200
Y11-N245E(CGA)	Brass	3,500	150	2,000	0-4,000	0-200
Y11-N245F(CGA)	Brass	3,500	250	2,700	0-4,000	0-400
Y11-N245G(CGA)	Brass	3,500	500	3,500	0-4,000	0-1,000

Available Options

Product Number	Description
Y99-CHROMNUT	Panel Mounting Nut
Y99-BONNETADP	Bonnet Vent Adaptor
Y99-4VCR	1/4" VCR connection on Inlet/Outlet (VCR x 1/4" MNPT)
Y15-QMB1	Quick Mounting Option for 1 Cylinder
Y15-QMB2	Quick Mounting Option for 2 Cylinders



Y11-245 Series



SINGLE STAGE REGULATOR