

Brass Line Regulators

Description: This analytical series of high-purity brass, single-stage regulators is recommended for non-corrosive analytical and process applications. It is recommended to be located as close as possible to the pressure point to maintain constant pressure. This series is ideally suited for chromatographic carrier gas applications including FID, TCD, ECD, HID, and non-corrosive gas mixtures for analytical instrumentation.

The regulator body is machined from brass bar stock, allowing minimal internal volume and eliminating large cavities and pockets associated with forged-body regulators. Nickel-plating keeps it looking good for a long time.

Analytical

PRESSURE REGULATORS



Design Features

Filtered Seat

for added gas stream purity and extended service life.

Stainless Steel Diaphragms

eliminate outgassing associated with elastometric diaphragms.

Bar Stock Body

provides low internal volume.

Encapsulated Filtered Seat Assy

protect valve seat, extend service life.

Nickel-Plated Brass Body

provides long-lasting good looks; will not tarnish.

Mounting

front panel mount bonnet and (2) 10-13 taps for rear mounting.

Specifications

Maximum Rated Inlet Pressure	1,200 psig
Outlet Pressure Ranges	0-25, 0-50, 0-100, 0-150, 0-250 psig
Flow Capacity	Cv=0.13
Ambient Operating Temperature	-40° F to +165° F
Designed Leak Rate	Bubble-Tight (helium)
Weight	2.4 lbs
Ports (3)	1/4" FNPT
Inlet	1/4" FNPT
Outlet	1/4" FNPT
Decay Inlet Characteristic	0.23/100 psi

Materials

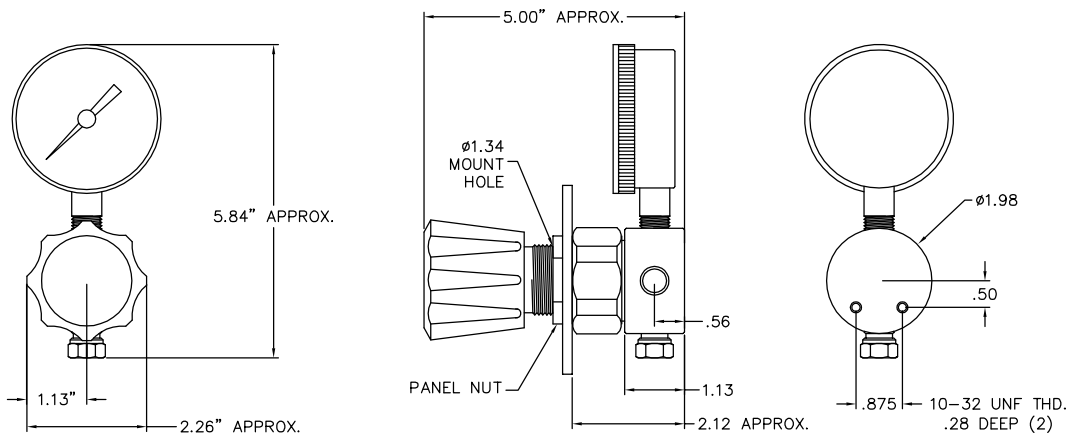
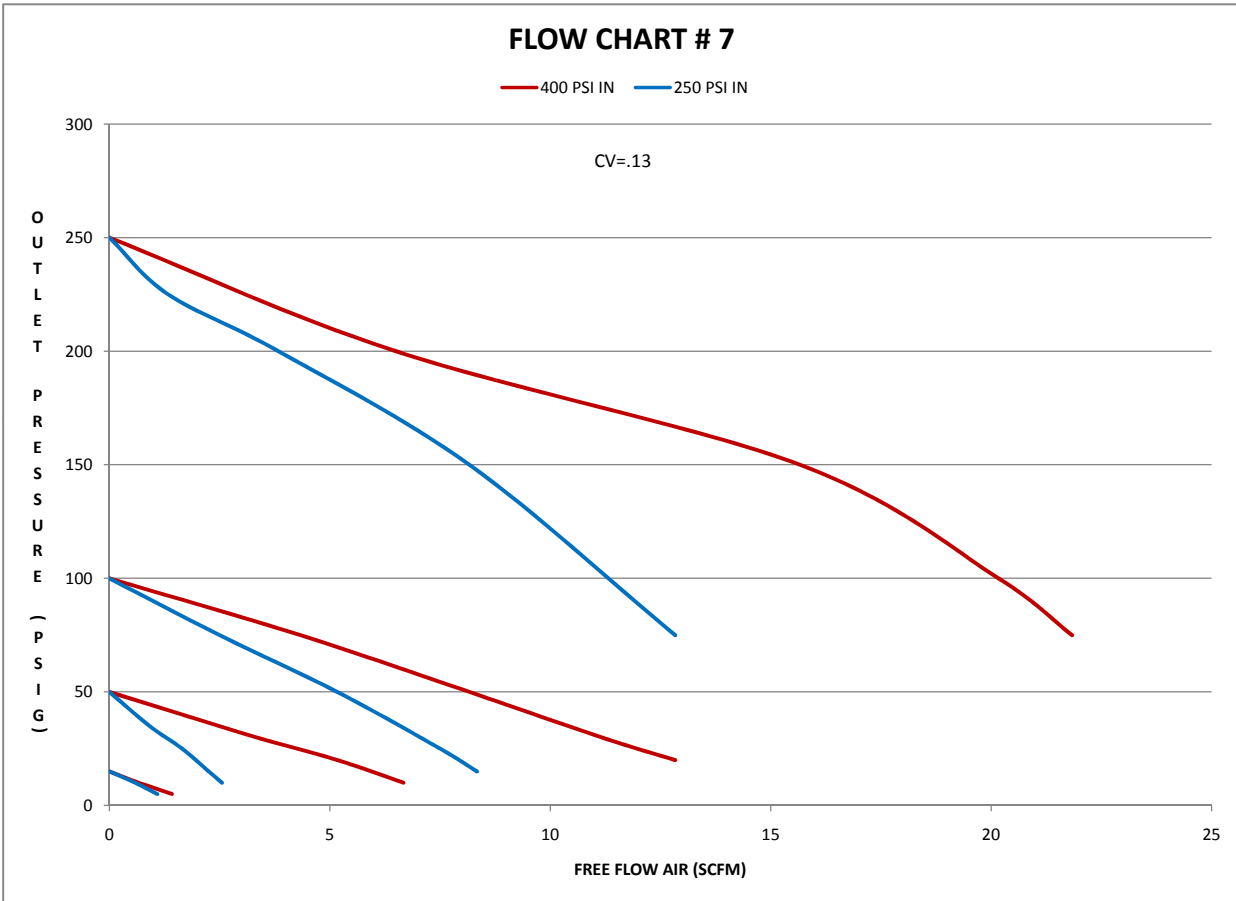
Body	Nickel-Plated Brass
Bonnet	Nickel-Plated Brass
Seat	PTFE
Diaphragm	316 Stainless Steel
Gauges	2 1/2" Nickel-Plated Brass
Filter	316 Stainless Steel
Valve Stem	316 Stainless Steel
Valve Spring	316 Stainless Steel
Trim	Nickel-Plated Brass

Ordering Information

Product Number	Material	Max Inlet Pressure (psig)	Max Outlet Pressure (psig)	Capacity (scfh @ Max Del. Pressure)	Delivery Gauge Range (psig)	Relief Valve Setting (psig)
Y11-241A	Brass	1,200	25	275	30" Hg-0-30	85
Y11-241B	Brass	1,200	50	420	0-60	150
Y11-241D	Brass	1,200	100	660	0-200	150
Y11-241E	Brass	1,200	150	750	0-200	250
Y11-241F	Brass	1,200	250	890	0-400	350

Available Options

Product Number	Description
Y99-26160	1/4" MNPT x 1/4" Compression
Y99-26180	1/4" MNPT x 1/8" Compression
Y15-418984	Wall Mount Bracket



LINE REGULATOR